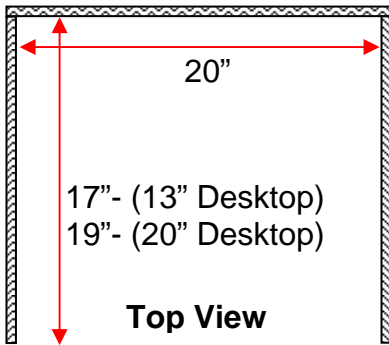


Choosing the Right Carrel

Avoid Restocking Fees . . . Measure Twice . . . Order Once!

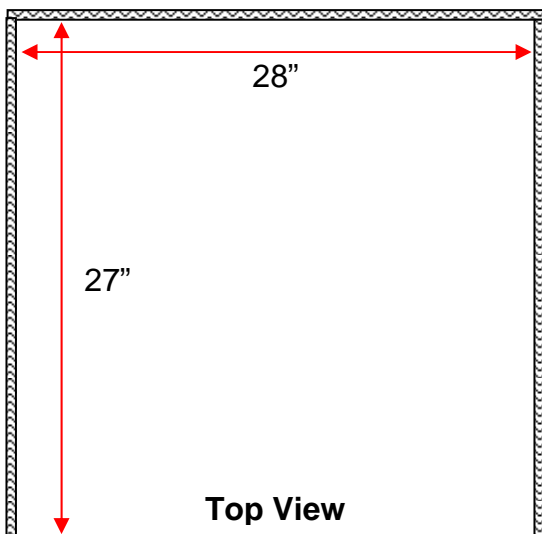
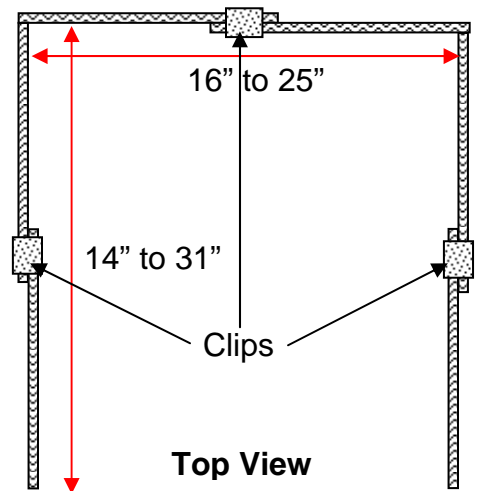


13" and 20" Desktop Carrels / Voting Booths

- ✓ Designed for Desktop and Tabletop use.
- ✓ The 13" carrel's adjustable height goes from 13" to 12".
- ✓ The 20" Carrel's adjustable height goes from 20" to 18".
- ✓ The 20" is great for laptops.
- ✓ Folding the bottom side wings creates a lip to hang over the front of the desk to help hold it in place. (See Drawing Below)
- ✓ A cut-out in the back wall of the 20" (only) accommodates wires.
- ✓ Both fold up for easy storage.

17" and 23" Adjustable Carrels

- ✓ Designed for larger monitors or work stations which require up to a 31" depth (Sidewalls)
- ✓ Both carrels are adjustable in width and length.
- ✓ One model is 17" tall . . . the other is 23" tall.
- ✓ These carrels have the same footprint but are different heights.
- ✓ Each unit comes with two "back corners" and 2 sidewalls.
- ✓ Six clips are provided for each top and bottom overlap.
- ✓ Due to weight restrictions, the 23" only ships in 10 packs.
- ✓ Both unassembled easily for storage.



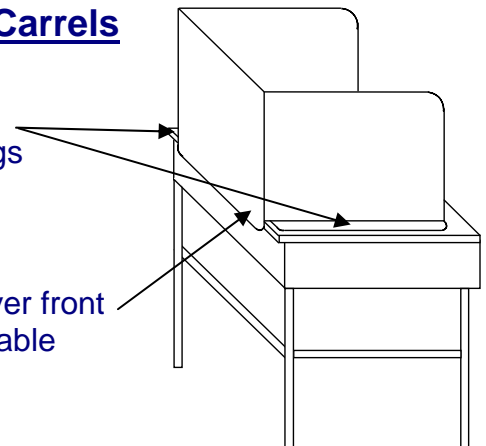
24" Jumbo Carrels / Voting Booths

- ✓ Great for LCD flat screens and most large CRT monitors.
- ✓ Adjusts in height from 24" to 22".
- ✓ A cut-out is provided in the back for wiring.
- ✓ Folding the bottom side wings creates a lip to hang over the edge of the table to help hold it in place. (See Drawing Below)
- ✓ Provides a large 28" x 27" work area.
- ✓ Folds easily for storage.

All One Piece Carrels

Fold out
bottom side wings

Place "Lip" over front
of desk / table



Classroom Products.com
3313 Woonsocket Street
Springfield, Ohio 45503
Fax: 937-342-1703
1-800-315-0741